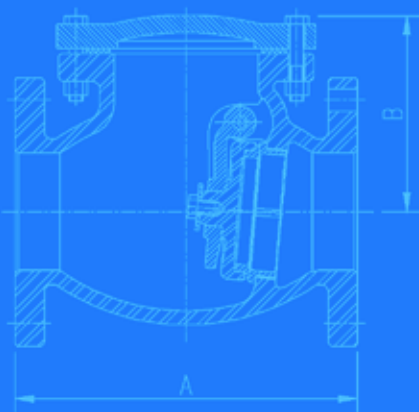
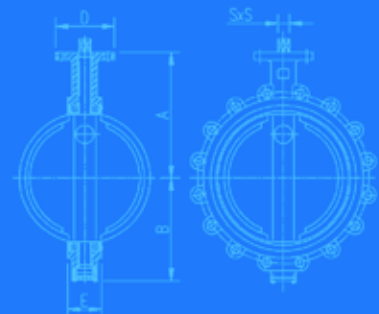
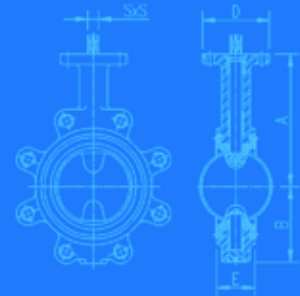
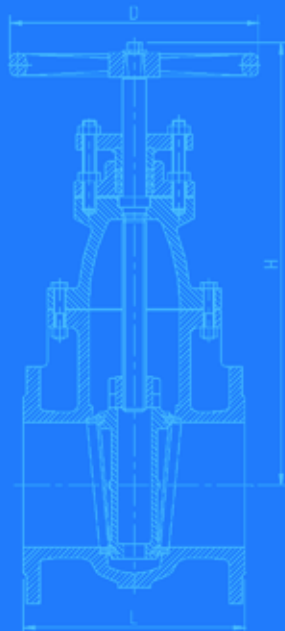


Fivalco® HVAC Catalogue

Iron And Bronze Valves 12/2009



Wafer Butterfly Valve

PN16/PN20/PN25/Class125/150/250

Fig. 2302-SS Disc.
Fig. 2303-Bronze Disc.
Fig. 2304-DI Disc.

◆ **Valve Standards**

Complies with EN593/BS5155/MSS SP-67

◆ **Working Pressure and Temperature**

Size 50 to 600, working pressure PN16/Class125.

Size 50 to 300, working pressure PN20/Class150.

Size 50 to 300, working pressure PN25/Class250.

Temperature from -10°C to 120°C for EPDM liner.

Temperature from -10°C to 82°C for NBR liner.

Temperature from -10°C to 150°C for Viton liner.

◆ **Top Flange:** Complies with ISO5211/1.

◆ **Flange Types**

EN1092-2 PN10/PN16/PN25, ANSI B16.1 Class125,

ANSI B16.2 Class250, BS10 Table D/E, JIS 10K/16K.

◆ **Operator:** Handle or gear operator.

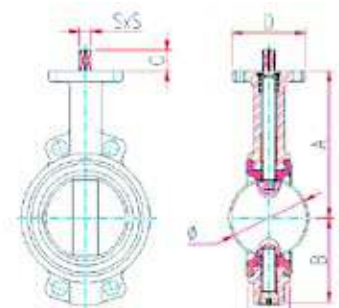
◆ **Materials Specifications**

Part Name	Material	EN Spec.	ASTM Spec.
Body*	Cast Iron	EN-JL1040	A126 Class B
Shaft	Stainless Steel	BS970 420S37	AISI 420
Disc	Stainless Steel	BS970 304S15	A351 CF8
	Bronze	EN1982 CC491K	B62 C83600
	Ductile Iron Chrome Plated or FBE Coated	EN-JS1050	A536 65-45-12
Bushing	PTFE	Commercial	Commercial
Liner	EPDM/NBR/Viton	Commercial	Commercial
O-Ring	EPDM/NBR/Viton	Commercial	Commercial

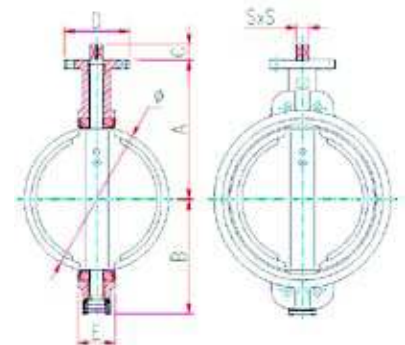
Note*: Ductile iron body for valve pressure rating PN20/PN25 or Class150/250.

◆ **Dimensions (mm)**

Size	50/2"	65/2.5"	80/3"	100/4"	125/5"	150/6"	200/8"	250/10"	300/12"	350/14"	400/16"	450/20"	500/22"	600/24"	
A	161	175	181	200	215	225	241	296	336	368	400	422	480	562	
B	80	91	95	115	134	138	174	198	234	280	310	340	388	450	
C	30	30	30	30	30	30	30	30	30	45	45	45	45	45	
D	90	90	90	90	90	90	125	125	125	150	175	175	210	210	
E	43	45	46	51.5	56	56.5	60	68.5	79.5	78	88	109	127	154	
Φ	56.8	71.5	83	101.5	127.8	151.1	200.5	251.3	300.5	335.5	393.5	443.5	500.5	600.8	
SxS	11x11		14x14			17x17		22x22			27x27		φ48		



Size 50-300



Size 350-600

Lug Butterfly Valve

PN16/PN20/PN25/Class125/150/250

Fig. 2502-SS Disc.
Fig. 2503-Bronze Disc.
Fig. 2504-DI Disc.

◆ **Valve Standards**

Complies with EN593/BS5155/MSS SP-67.

◆ **Working Pressure and Temperature**

Size 50 to 600, working pressure PN16/Class125.

Size 50 to 300, working pressure PN20/Class150.

Size 50 to 300, working pressure PN25/Class250.

Temperature from -10°C to 120°C for EPDM liner.

Temperature from -10°C to 82°C for NBR liner.

Temperature from -10°C to 150°C for Viton liner.

◆ **Top Flange:** Complies with ISO5211/1.

◆ **Flange Types**

EN1092-2 PN10/PN16/PN25, ANSI B16.1 Class125,

ANSI B16.2 Class250, BS10 Table D/E, JIS 10K/16K.

◆ **Operator:** Handle or gear operator.

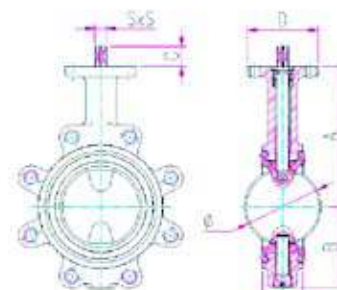
◆ **Materials Specifications**

Part Name	Material	EN Spec.	ASTM Spec.
Body*	Cast Iron	EN-JL1040	A126 Class B
Shaft	Stainless Steel	BS970 420S37	AISI 420
Disc	Stainless Steel	BS970 304S15	A351 CF8
	Bronze	EN1982 CC491K	B62 C83600
	Ductile Iron Chrome Plated or FBE Coated	EN-JS1050	A536 65-45-12
Bushing	PTFE	Commercial	Commercial
Liner	EPDM/NBR/Viton	Commercial	Commercial
O-Ring	EPDM/NBR/Viton	Commercial	Commercial

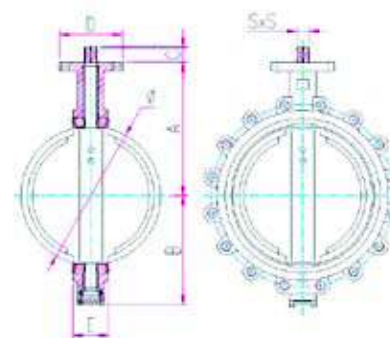
Note*: Ductile iron body for valve pressure rating PN20/PN25 or Class150/250.

◆ **Dimensions (mm)**

Size	50/2"	65/2"	80/3"	100/4"	125/5"	150/6"	200/8"	250/10"	300/12"	350/14"	400/16"	450/18"	500/20"	600/24"
A	140	152	160	180	191	202	241	274	315	368	400	422	480	562
B	68	76	85	100	120	132	160	200	230	280	310	340	388	450
C	30	30	30	30	30	30	30	30	30	45	45	45	45	45
D	90	90	90	90	90	90	125	125	125	150	175	175	210	210
E	43	45	46	51.5	56	56.5	60	68.5	79.5	78	88	109	127	154
Φ	56.8	71.5	83	101.5	127.8	151.1	200.5	251.3	300.5	335.5	393.5	443.5	500.5	600.8
SxS	11x11		14x14		17x17		22x22			27x27		φ48		



Size 50-300



Size 350-600

Grooved End Butterfly Valve

PN20/Class150

Fig. 2902

◆ **Valve Standards:** Complies with EN593/BS5155/MSS SP-67.

◆ **Working Pressure and Temperature**

Working pressure PN20/Class150.

Temperature from -10°C to 120°C for EPDM coated disc.

Temperature from -10°C to 82°C for NBR coated disc.

Temperature from -10°C to 150°C for Viton coated disc.



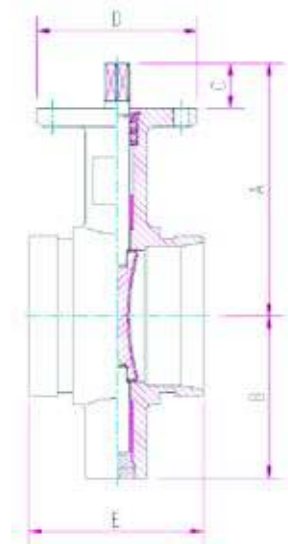
◆ **Top Flange:** Complies with ISO5211/1.

◆ **Grooved Type**

Grooved dimensions comply with Metric or ANSI Pipe standards

◆ **Operator**

Handle or gear operator.



Size 50-300

◆ **Materials Specifications**

Part Name	Material	EN Spec.	ASTM Spec.
Body	Ductile Iron	EN-JS1050	A536 65-45-12
Shaft	Stainless Steel	BS970 420S37	AISI 420
Disc	DI EPDM Coated	EN-JS1050	A536 65-45-12
	DI NBR Coated	EN-JS1050	A536 65-45-12
	DI Viton Coated	EN-JS1050	A536 65-45-12
Bushing	PTFE	Commercial	Commercial
O-Ring	EPDM/NBR/Viton	Commercial	Commercial

◆ **Dimensions (mm)**

Size	50/2"	65/2.5"	80/3"	100/4"	125/5"	150/6"	200/8"	250/10"	300/12"
Pipe OD	60.3	73.0/76.1	88.9	114.3	139.7/141.3	165.1/168.3	219.1	273.0	323.9
A	122	140	147	177	204	215	245	295	320
B	77	85	90	108	120	145	180	230	260
C	30	30	30	30	30	30	30	30	30
D	90	90	90	90	90	90	125	125	125
E	84	97	97	116	148	148	133	159	165

U-Type Butterfly Valve

PN10/PN16/Class125

Fig.2800 -DI Disc/Epoxy
 Fig.2801- SS 304 Disc
 Fig. 2802 -SS 316 Disc

◆ **Design Standards:**

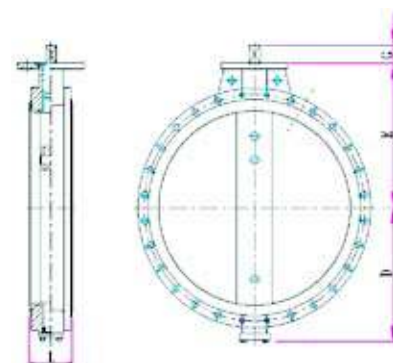
Complies with EN593, MSS SP-67
 Flange Type: EN1092-2 PN16

◆ **Maximum pressure: 16 bar**

Working Temperature from -15°C to 120°C (EPDM)

◆ **Materials Specifications**

Part Name	Material	Material Specification
Body	Ductile Iron	ASTM A536 65-45-12 JS1030,EN1563
Shaft	Stainless Steel	AISI 431 EN10088
Disc	Stainless Steel	AISI 304/316
	Ductile Iron Epoxy coated	ASTM A536 65-45-12 JS1030,EN1563
Seat	EPDM/NBR	Commercial
O-Ring	NBR	Commercial



◆ **Dimensions(mm)**

Size	mm In	700	750	800	900	1000	1050	1100	1200	1300	1400	1500	1600	1700
		(28)	(30)	(32)	(36)	(40)	(42)	(44)	(48)	(52)	(56)	(60)	(64)	(68)
L	mm	165	190	190	203	216	216	235	254	279	279	318	318	337
	in	6-1/2	7-1/2	7-1/2	8	8-1/2	8-1/2	9-1/4	10	11	11	12-1/2	12-1/2	13-1/4
D	mm	480	520	525	635	685	690	820	870	920	980	1037	1096	1140
	in	18-7/8	20-1/2	20-3/4	25	27	27-1/8	32-1/4	34-1/4	36-1/4	38-1/2	40-3/4	43-1/4	44-7/8
E	mm	560	585	610	690	740	740	805	855	955	955	1029	1079	1126
	in	22	23	24	27-1/4	29-1/8	29-1/8	31-3/4	33-5/8	37-1/2	37-5/8	40-1/2	42-1/2	44-3/8
G	mm	60	60	60	90	90	90	85	85	85	85	100	100	120
	in	2-3/8	2-3/8	2-3/8	3-9/16	3-9/16	3-9/16	3-3/8	3-3/8	3-3/8	3-3/8	4	4	4-3/4
ISO 5211		F16	F16	F16	F25	F25 F30	F25	F30	F30 F35	F30 F35	F35	F35	F35 F40	F40

Notes:

1. Face to Face dimensions conform to EN558-Series 20.
2. Bolt circles and flange drillings conform to EN1092-2 PN16 Other flange types are available.
3. Design, dimensions and material specifications are subject to change without notice.
4. Maximum liquid flow velocity 5 m/s
5. Specify ISO top flange dimensions on order.