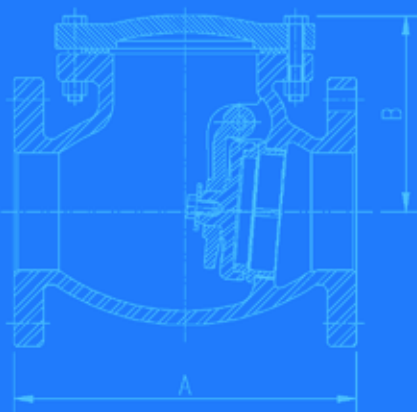
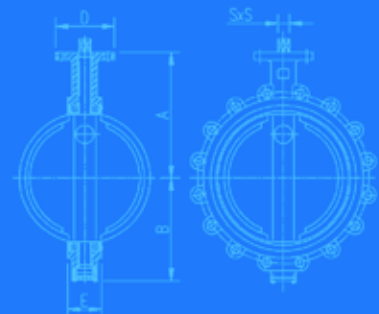
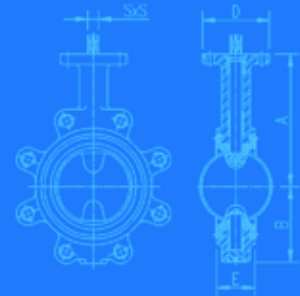
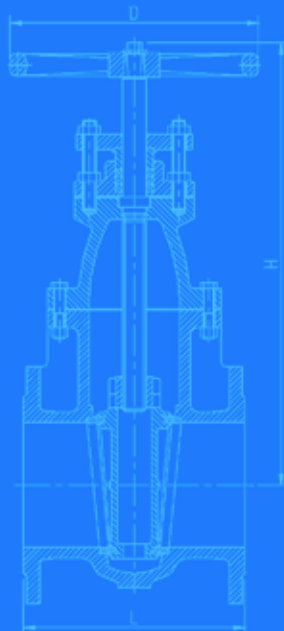


Fivalco[®] HVAC Catalogue

Iron And Bronze Valves 12/2009



Globe Valve

PN16/PN25/Class125/Class250

Fig. 6123

◆ **Valve Standards:** Complies with BS EN 13789 / MSS SP-85.

◆ **Working Pressure and Temperature**

Working pressure PN16/PN25/Class125/Class250.

Temperature from -10°C to 120°C.

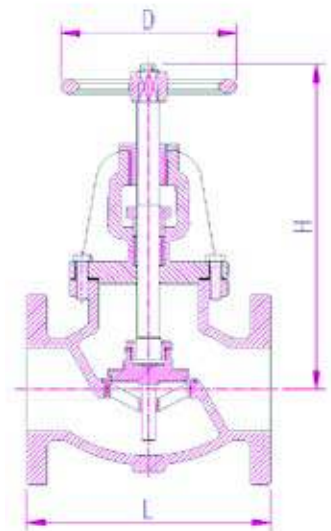
◆ **Flange Types**

EN1092-2 PN10/PN16/PN25, ANSI B16.1 Class125,
ANSI B16.2 Class250, BS10 Table D/E, JIS 10K/16K.



◆ **Materials Specifications**

Part Name	Materials	EN Spec.	ASTM Spec.
Body*	Cast Iron	EN-JL1040	A126 Class B
Bonnet*	Cast Iron	EN-JL1040	A126 Class B
Body Trim	Bronze	EN1982 CC491K	B62 C83600
Disc Trim	Bronze	EN1982 CC491K	B62 C83600
Disc*	Cast Iron	EN-JL1040	A126 Class B
Stem	Stainless Steel	BS970 420S37	AISI 420
Packing	Graphite	Non-asbestos	Non-asbestos
Gasket	Graphite	Non-asbestos	Non-asbestos
Yoke Bushing	Brass	CuZn39Pb3	B16 C36000
Handwheel	Cast Iron	EN-JL1040	A126 Class B



Note*: Body, bonnet & disc materials are ductile iron when valve pressure rating is PN25/Class250.

◆ **Dimensions (mm)**

Size	DN50/2"	DN65/2.5"	DN80/3"	DN100/4"	DN125/5"	DN150/6"	DN200/8"	DN250/10"	DN300/12"
L	203	216	241	292	330	356	495	622	698.5
H(Open)	295	336	345	389	425	511	580	720	859
D	190	190	190	305	305	305	305	400	457