

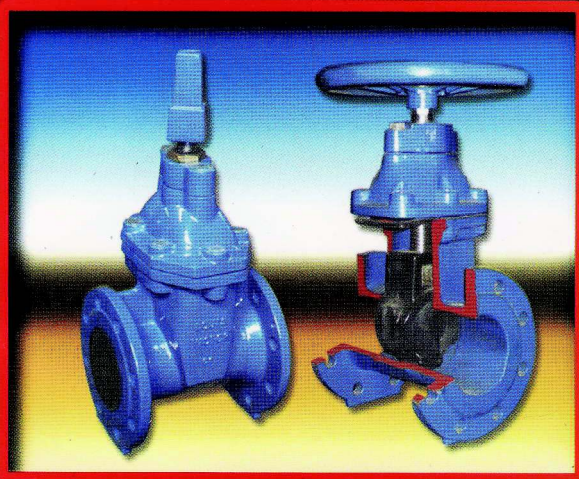
LOUISVICTOR

THE REAL VALVES

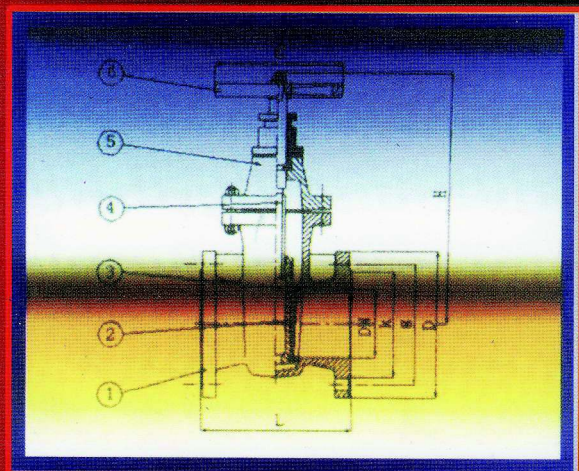


EUROPEAN STANDARD

BS5163 PN16/ANSI CLASS 125 RESILIENT - SEATED GATE VALVE NON - RISING STEM TYPE



- This valve is designed and manufactured according to BS5163
- Working pressure : 16KG/CM²
- Shell test pressure : 24BARS
- Seating test pressure : 18KG/CM²
- Working temperature : < 100 °C
- Media : Water, Oil, Gas



Material for main parts

No.	Parts	Material
1	Body	Cast Iron/Ductile iron
2	Seat	Brass
3	Resilient wedge	Ductile iron with NBR
4	Stem	Cast steel/Stainless steel
5	Bonnet	Cast iron/Ductile iron
6	Hand wheel	Cast iron/Ductile iron

DIMENSION

Unit : mm

DN	2"	2-1/2"	3"	4"	5"	6"	8"	10"	12"
L	178	190	203	229	254	267	292	330	365
H	278	302	339	377	430	497	600	771	796
C	200	200	240	240	285	300	360	400	450
ANSI CLASS 125									
D	152	178	191	229	254	279	343	406	483
G	121	139	152	191	416	241	298	362	432
PN16									
D	165	185	20	220	250	285	340	405	460
G	125	145	160	180	210	240	295	355	410