

# LOUISVICTOR

THE REAL VALVES

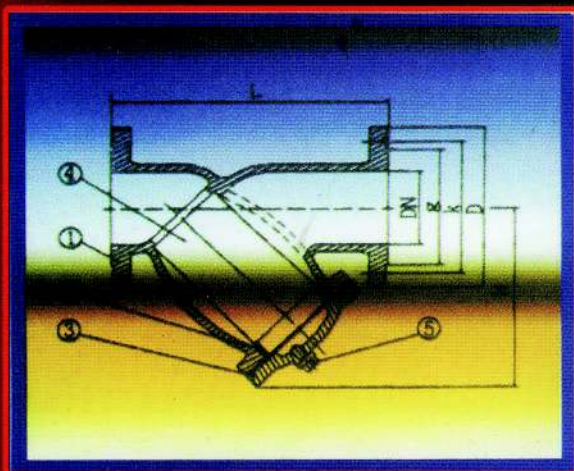


EUROPEAN STANDARD

# DIN3202-F1 PN 10/PN16 Y STRAINER



- Working pressure : 16KG/CM<sup>2</sup>
- Shell test pressure : 24BARS
- Seating test pressure : 18KG/CM<sup>2</sup>



## Material for main parts

No.	Parts	Material
1	Body	Cast Iron/Ductile iron
2	Plug	Cast iron/Ductile iron
3	Cover	Cast iron/Ductile iron
4	Screen	Stainless steel
5	Bolt	Carbon steel

## DIMENSION

Unit : mm

DN	40	50	65	80	100	125	150	200	250	300
L	200	230	290	310	350	400	480	600	730	850
H	105	125	150	175	195	235	275	350	420	490
<b>PN10</b>										
D	150	165	185	200	250	250	285	340	405	460
k	110	125	145	160	180	210	240	295	350	400
g	88	102	122	138	158	188	212	268	320	370
<b>PN16</b>										
D	150	165	185	200	250	250	285	340	405	460
k	110	125	145	160	210	210	240	295	355	410
g	88	102	122	138	188	188	215	268	320	378